

Dominic Project – Detailed view

By Bill Weis

Requirements:

1. Be able to voice control his Tempur-Pedic Ergo bed

Solution – High Level:

1. Designed a voice activated bed controller which gave Dominic the ability to control the four desired functions of his adjustable bed. He can control the bed using Alexa as well as from a Google Min.

Details of the Solution

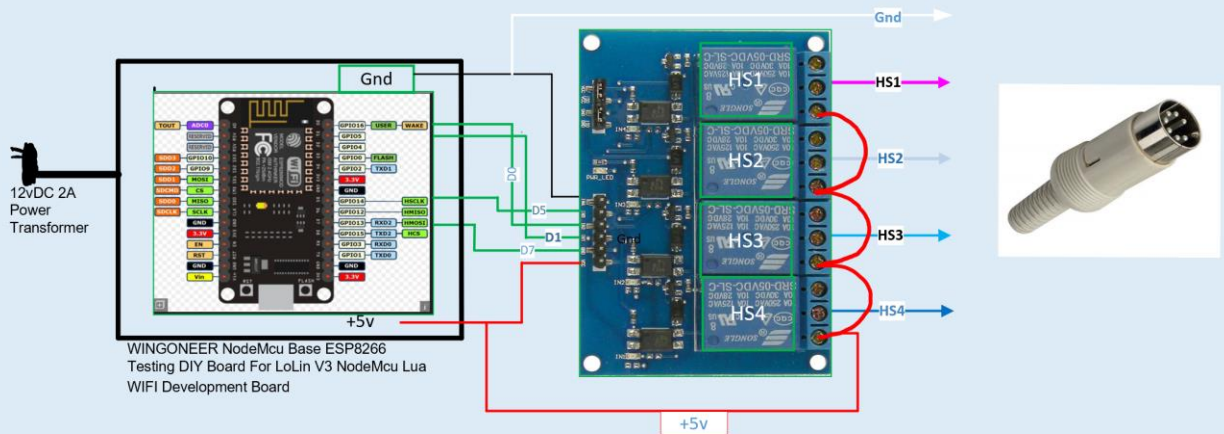
1 - Voice Control his bed – Dominic has a Tempur-Pedic Ergo bed with remote 10003-RFREMS-L008. The controls in this bed are from LOGICDATA. This is a 433mhz remote using Frequency Shift Keying as the modulation. With a few tips from LOGICDATA, we were able to design a solution where we hardwired the device shown in the picture below to the controller under the bed. Since Dominic's bed already had a WiFi dongle installed, we had to plug in a Y-Cable to the HS connector of the controller, then plug the WiFi dongle to one side of the Y-Cable and our bed controller to the other side of the Y-Cable. The end result is Dominic can control the bed using voice, an app on this phone, or using the provided RF remote.

Here is a Visio diagram of the solution.

Voice Controlled Bed Controller for Dominic, mechanical relays to drive the
LogicData Controller in the Tempur-Pedic 10003-RFREMS-L008

Bill Weis 5-15-19

S/N 19044.04



Resources

[Amazon Echo](#)

[Alexa Support](#) (Contact Support via the Amazon Alexa app - can have them call your number)

[Google Home getting started](#)

[Google Home Help Forum](#)

[Google Home Support](#) Phone number for Google Home hardware support = 855-971-9121 (24/7 days a week)

[Wemo Support](#) Phone number for Support = 1-844-745-wemo (9366)

inside the bed controller box. The drawing on the following page shows the voice activated bed controller, solid state relays and the remote.