

Sloane Project – Detailed view (v2)

By Bill Weis

Review of the Requirements for this project and the high-level design of the solution

Requirements:

1. Be able to voice control her bed (Leggett and Platt s-Cape with Raven industries control/remote KSMBR20543T).

Solution – High Level:

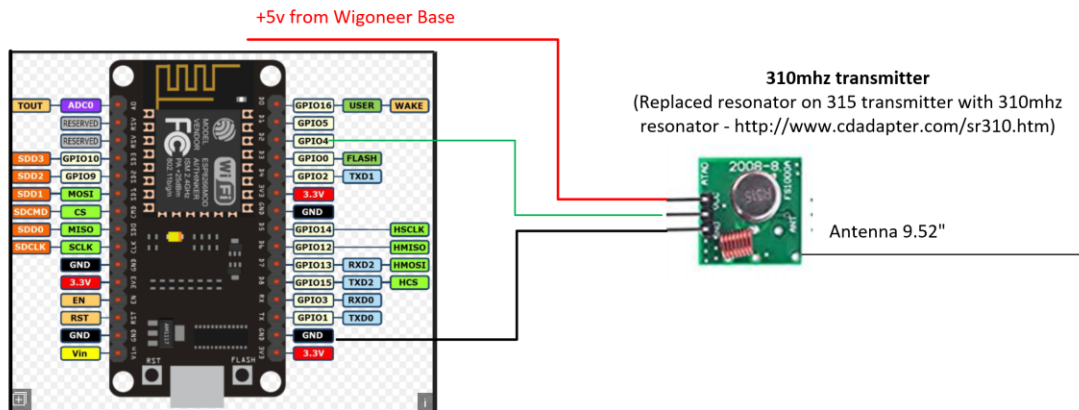
1. Designed a microcontroller-based Voice Activated solution that provided the desired functions of Head Up, Head Down, Feet Up, Feet Down, Flat and MR.

Details of the Solution

1 - Voice Control her bed – Leggett and Platt s-Cape with Raven industries control/remote KSMBR20543T which operates at 310mhz. I was able to capture the pulse timings for the remote and once I had the timings for the 6 desired buttons from the remote, it was time to write the sketch for the ESP8266 microcontroller. Then finally, I had to select a 315mhz transmitter, and to meet the requirements of sending 310mhz I replaced the resonator on the 315mhz transmitting board with a 310mhz resonator. The resonator was purchased from <http://www.cdadapter.com/sr310.htm>). A 9.52" antenna was added to the transmitter, tuned for $\frac{1}{4}$ wave length for this frequency.

Sloane's brother Matt then went on to define the "[Alexa Routines](#)" so the commands Sloane would then give to Alexa were natural sounding.

Sloane Project
Raven Industries KSMBR20543T Remote
310mhz (Leggett and Platt s-Cape)
S/N 18011.05



Resources

[Amazon Echo](#)

[Alexa Support](#) (Contact Support via the Amazon Alexa app - can have them call your number)

[Google Home getting started](#)

[Google Home Help Forum](#)

[Google Home Support](#) Phone number for Google Home hardware support = 855-971-9121 (24/7 days a week)

[Logitech Harmony Knowledge Base](#)

[Logitech Harmony Support](#) Phone # for Support = 866-601-5644 (M-F 8am to 6pm PST)

[Lifx](#)

[Wemo Support](#) Phone number for Support = 1-844-745-wemo (9366)